



WALL COWL

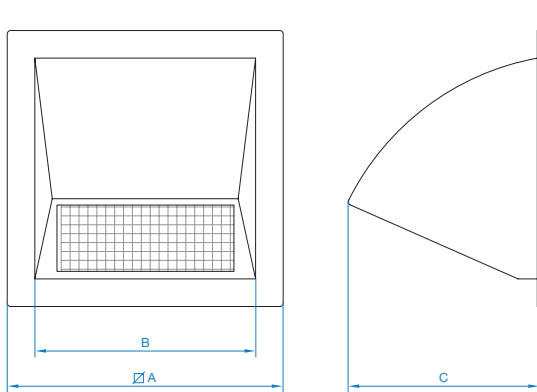
WALL COWL

Overview

- Protects fan openings prevailing weather conditions
- Minimises resistance to airflow
- Manufactured from GRP - colour (goose wing grey) impregnated into gel coat
- Complete with integral bird screen (galvanised mesh)



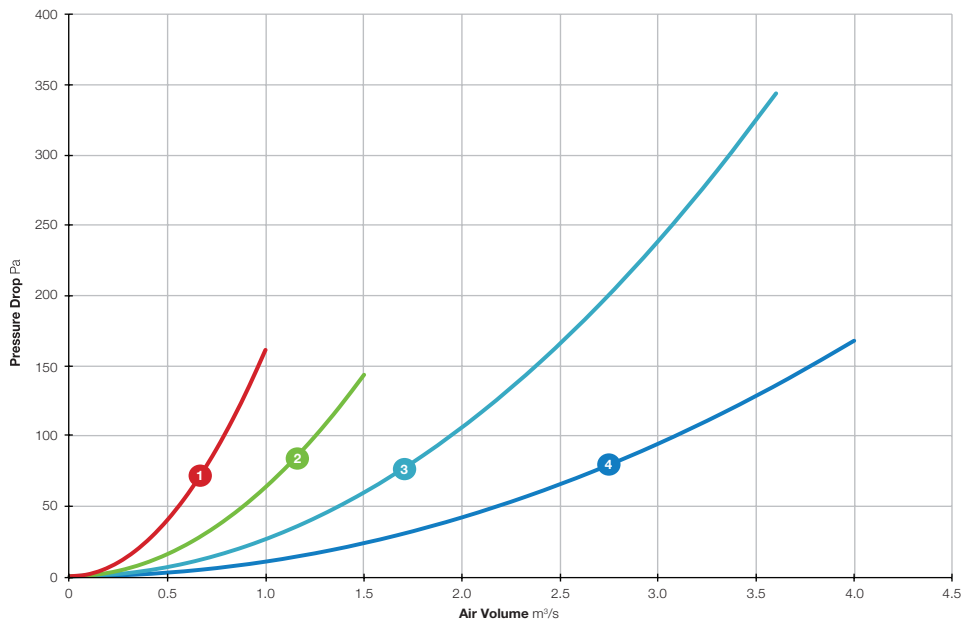
Product Code	A	B	C	Grille Area m ²	Weight kg
SWC25/31	500	410	325	0.088	2
SWC35/40	610	510	390	0.140	3
SWC45/50	755	645	470	0.217	7
SWC56/63	935	815	555	0.345	10



Dimensions are in mm.

WALL COWL

Cowl Pressure Drop Curve



- 1 SWC25/31
- 2 SWC35/40
- 3 SWC45/50
- 4 SWC56/63

Determine pressure loss against required flow rate and add pressure loss value to system design pressure, verify that fan selection can accommodate extra pressure loss.
Original design: flow rate (m³/s) and pressure (Pa), with cowl becomes flow rate (m³/s) and (pressure (Pa) + pressure loss (Pa) from curve).

Building Services

Tel **+44 (0) 1384 275800**
Fax **+44 (0) 1384 275810**
Email **info@eltafans.co.uk**

46 Third Avenue, Pensnett Trading Estate, Kingswinford,
West Midlands, DY6 7US United Kingdom

Applied Technology & Building Services Export

Tel **+44 (0) 1489 566500**
Fax **+44 (0) 1489 566555**
Email **at@eltafans.co.uk / export@eltafans.co.uk**

17 Barnes Wallis Road, Segensworth East Industrial Estate,
Fareham, Hampshire, PO15 5ST United Kingdom

eltafans.com

SWC-03-2018 Issue A



BS EN ISO 9001:2008 FM 556465

